

**COBISS<sup>®</sup>**

---

Co-operative Online Bibliographic System & Services

SPO – Systems support

***HONEYWELL PC42t User Guide***

**SPO-NA-EN-316, V2.0**

Institute of Information Science, Maribor, Slovenia

---

**IZUM<sup>®</sup>**

© IZUM, 2018

COBISS, COMARC, COBIB, COLIB, IZUM are registered trademarks owned by IZUM.

# CONTENTS

1	Introduction .....	1
2	Setting up the Honeywell PC42t printer.....	1
2.1	List of equipment .....	1
2.2	Printer description .....	1
2.3	Getting the printer ready .....	3
2.3.1	Inserting the label roll .....	3
2.3.2	Inserting the ribbon.....	4
2.3.3	Print button and Status LED .....	5
2.3.4	Connecting the printer to a PC and installing the driver .....	6
2.3.5	Connecting the printer to your network.....	6
3	Print settings (COBISS3) .....	8
4	Setting logical destinations in COBISS3.....	12

## Figures

Figure 1:	Honeywell PC42t front panel .....	2
Figure 2:	Rear panel .....	2
Figure 3:	Printer's web interface.....	7
Figure 4:	PrintSet software.....	8
Figure 5:	Printing Defaults.....	8
Figure 6:	Label format settings (New: USER (60,0 mm x 40,0 mm) .....	9
Figure 7:	Printout position settings ("Horizontal Offset", "Vertical Offset") .....	9
Figure 8:	Print settings (Graphics, "Dithering").....	10
Figure 9:	Media settings ("Print Method": Thermal Transfer).....	10
Figure 10:	Setting print options ("Speed Settings", "Media Calibration Mode") .....	11
Figure 11:	Seagull driver.....	11
Figure 12:	COBISS3 user interface.....	12
Figure 13:	Local destinations editor.....	12
Figure 14:	Setting local destinations .....	13
Figure 15:	Detailed settings.....	13
Figure 16:	Refreshing settings in the COBISS3 user interface .....	14



# 1 Introduction

This document describes the use of the printer when working in the COBISS system (setting up and connecting the printer, maintaining the printer – changing the paper and the ribbon, etc.).

## 2 Setting up the Honeywell PC42t printer

### 2.1 List of equipment

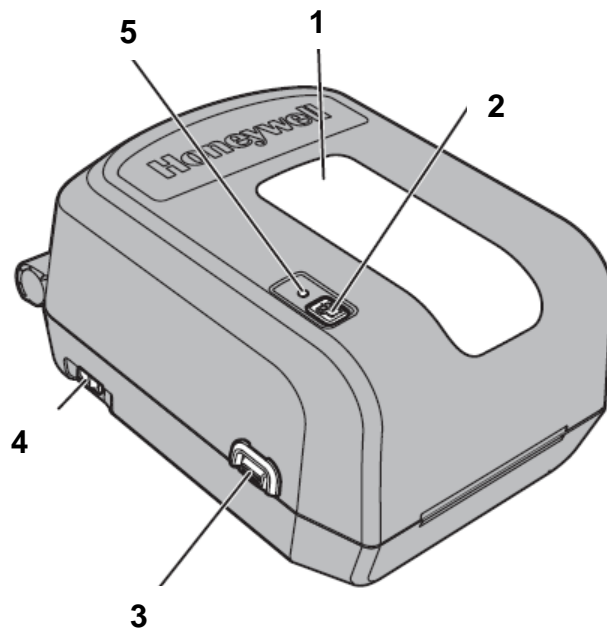
Basic equipment:

- printer (black),
- CD containing software, drivers and user guide,
- USB cable (or different cable)
- AC adapter
- power cord (220V),
- ribbon core.

### 2.2 Printer description

The printer is designed to print up to 1000 labels a day. It has the following features:

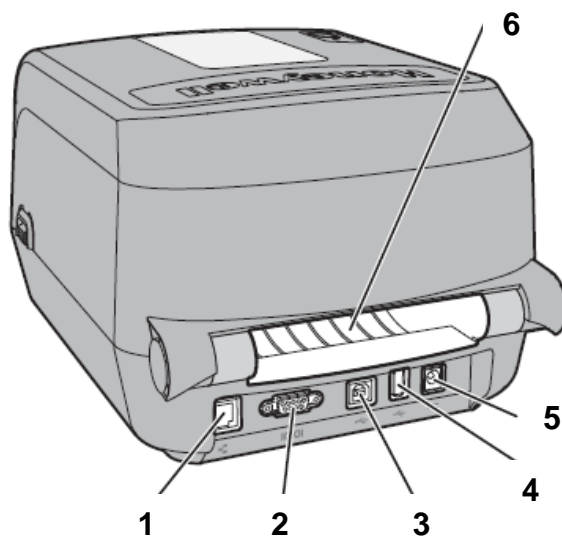
- printing resolution of 203 dpi (8 dots/mm),
- print speeds from 2 to 4 ips (from 50 to 100 mm/s)
- USB host port for connecting external devices,
- ports: USB, Ethernet, serial,
- print width up to 110 mm,
- language (use): Direct Protocol (DP),
- languages – optional (do not use): ZSim (ZPL-II), ESim (EPL),
- memory: 64 MB flash, 64 MB SDRAM.



**Figure 1: Honeywell PC42t front panel**

Legend (Figure 1):

- 1 – Media window for checking labels and ribbon
- 2 – Print button for moving the label roll or cancelling the operation
- 3 – Latch (on both sides) for opening the printer
- 4 – Power button
- 5 – Status LED



**Figure 2: Rear panel**

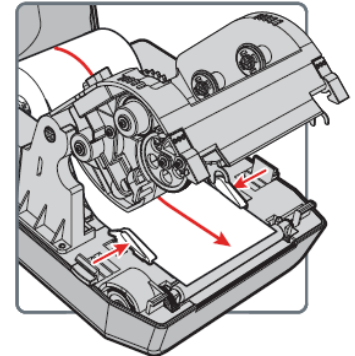
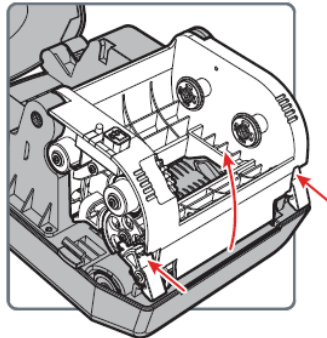
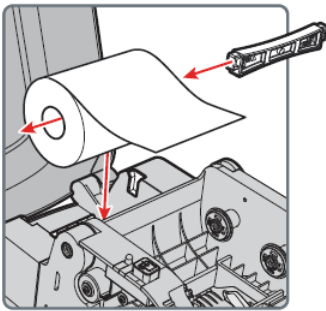
Legend (Figure 2):

- 1 – Ethernet port
- 2 – Serial port (RS232)
- 3 – USB device port
- 4 – USB host port for external devices (NOT intended to use for connecting with the PC)
- 5 – Power port
- 6 – External media feed slot (for wider label rolls)

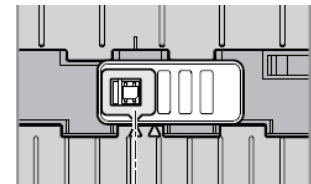
## 2.3 Getting the printer ready

### 2.3.1 Inserting the label roll

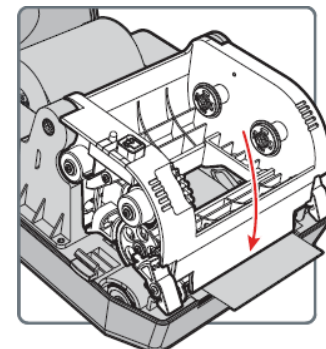
1. Open the printer cover and insert the holder into the label roll. Then, insert the holder into the compartment. Raise the ribbon mechanism. Feed the label roll through the side guides behind the sensor.



2. When inserting the label roll, check the positioning of the label sensor in front of the guides. For printing labels, it should be aligned with the left triangle, as pictured.

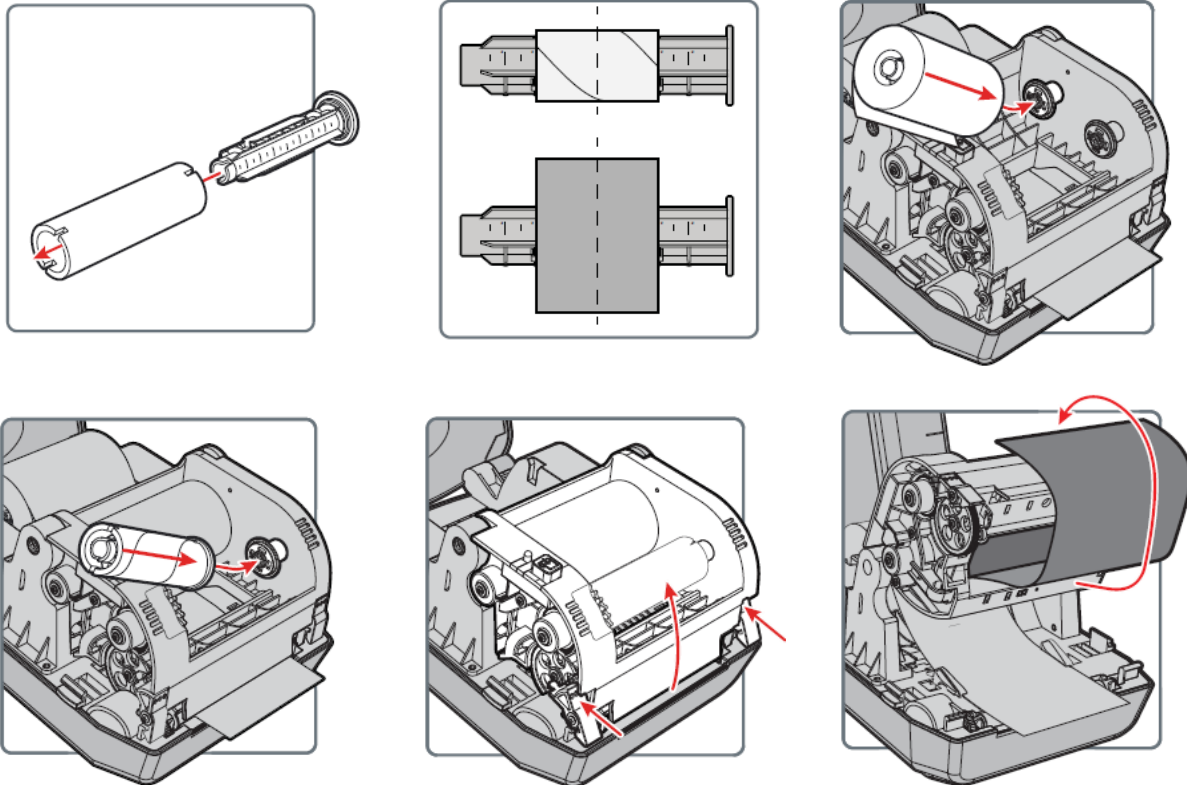


3. If you do not need to insert the ribbon, close the mechanism. Push on the mechanism from above until it clicks into place.

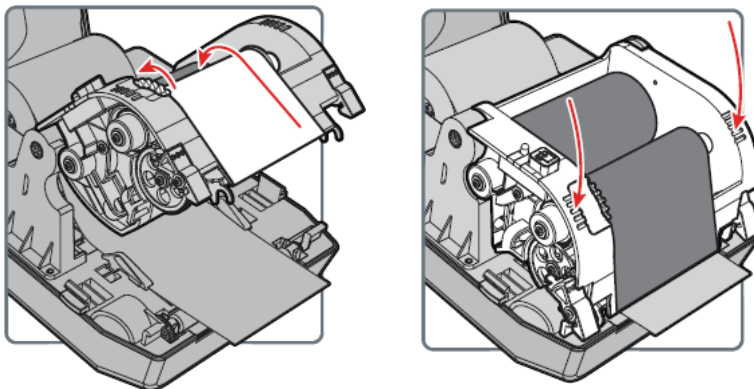


## 2.3.2 Inserting the ribbon

1. Open the printer cover and insert one plastic adapter into an empty ribbon takeup core and the other one into the ribbon core. Place both between the holders, as pictured below.



2. Raise the ribbon mechanism and feed the ribbon through the opening and on the outer side onto the empty core. Attach the beginning of the ribbon to the empty core and turn the slack wheel until you get to the black part.



3. Close the ribbon mechanism. Push on it from above until it **clicks into place**.



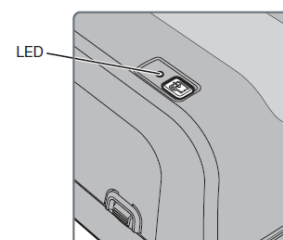
## 2.3.3 Print button and Status LED

### How to use the Print button

Action	Procedure	Description
media calibration	<i>When the printer is turned on, press and hold the button for two (2) seconds to start the calibration process.</i>	The printer prints out several labels and sets the height of the label.
move forward	Press and release the button.	If the printer is idle, pressing the button will move the ribbon one label forward.
pause	Press and release the button.	If you press the button while printing, the printing will pause.
cancel pause	Press and release the button.	If printing is paused, pressing the button will resume printing.
cancel print	Press and hold the button for three (3) seconds.	If printing is paused, the commenced printing is cancelled and the data is deleted from the printer. The printer then returns into idle mode.

### Status LED

<b>LED state</b>	
<b>turned off</b>	The printer is turned off.
<b>green</b>	The printer is in idle mode and ready to print.
<b>green – blinking since activation</b>	The LED blinking green since the printer was turned on indicates a problem with internal memory.
<b>green – blinking</b>	The printer is starting up.  The printer is paused. If you press the Print button, the printing will resume. If you hold the button for three (3) seconds, the printing will be cancelled and deleted.
<b>green – fast blinking</b>	The printer is receiving data.
<b>orange</b>	The printhead is too hot to print.
<b>orange – blinking</b>	The printer is upgrading its firmware from an inserted USB flash drive. Remove the USB flash drive when the Status LED turns solid green.
<b>red – blinking</b>	The printer is in Error mode. The printer may be out of ribbon, or if the ribbon is inserted, the printing configuration may be incorrect, or the printer may have run out of labels.  <i>After the error is resolved, press the button to resume printing.</i>
<b>red and green – alternating</b>	The printer is severely defected. It needs to be checked by an authorised repairer.



## 2.3.4 Connecting the printer to a PC and installing the driver

The printer **driver** is included on the CD that you received with the printer.

If you do not have access to the CD, you can get the driver:

- on the manufacturer's webpage at:

<https://aidc.honeywell.com/en-GB/Pages/Product.aspx?category=printers&cat=HSM&pid=pc42>

- select the software under the **Software** tab:

- Tools and Utilities: PrintSet 5.6.1
- Drivers: InterDriver 7.4.3 M-3
- Firmware: PC42t and PC42d Printer Firmware ver. T10.13.013815

The PrintSet 5.6.1 software is used for changing the general settings of the printer.

The InterDriver 7.4.3 M-3 software is a driver for the Windows OS; it enables printing and must be installed on the computer.

Firmware is system software for updating the printer. This procedure should be performed by a trained professional. **If the procedure is not performed correctly, the printer may not work.**

**Connect the printer** to a PC with either the USB cable or the serial cable. The USB cable is part of the basic equipment, whereas the serial cable must be ordered separately.

## 2.3.5 Connecting the printer to your network

The printer also has an Ethernet port. Connect it to the local network using an appropriate cable (Cat. 5e or newer, not included). To set up network printing, you must configure the printer's network interface using one of the two methods:

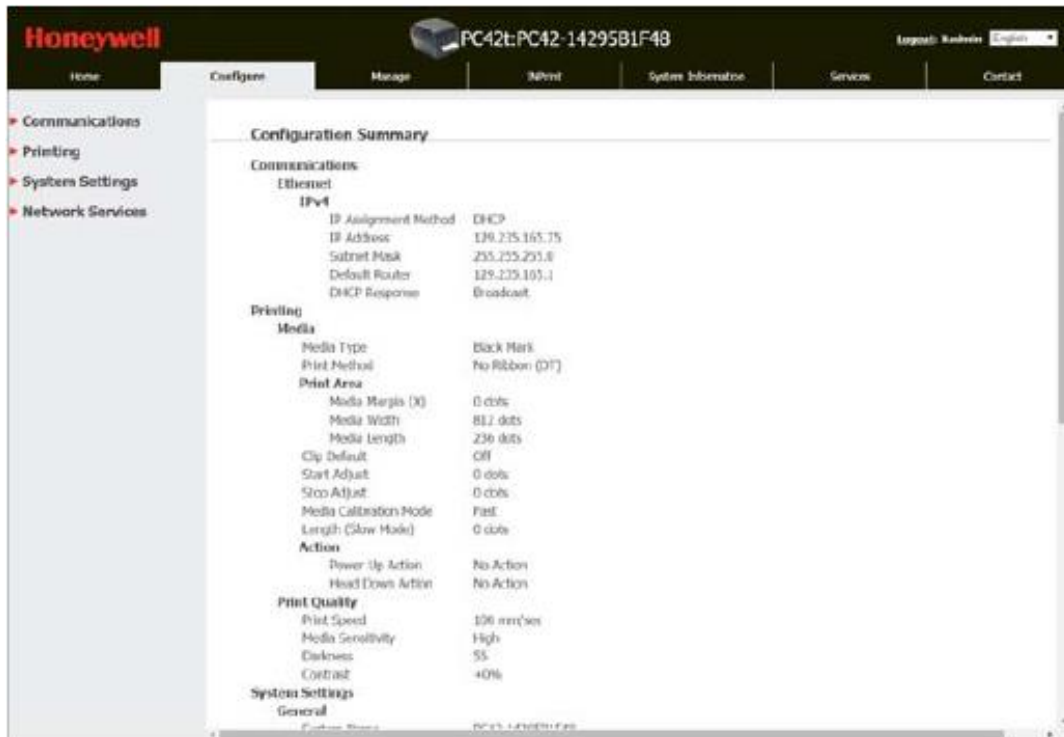
1. Use the printer's built-in web interface.
2. Use the **PrintSet** software, which is included on the CD that you received with the printer. Run the program and start the configuration process. For help, see the PrintSet online help.

**Printer's web interface** (Figure 3).

Enter the printer's IP address into the browser's address bar and log in with the default username *itadmin* and default password *pass*:

- The **Configure** tab displays all printer settings.
- The left-hand side of the window contains the following menus:
  - **Configuration Summary** (current printer settings),
  - **Communications** (serial port settings),

- **Printing** (media, print quality and other settings),
- **System Settings** (service, general settings, messages).



**Figure 3: Printer's web interface**

The PrintSet software (Figure 4) is used for printer configuration. For help, see the PrintSet online help. The software requires Windows XP or a newer version of Windows. Follow these steps:

1. Install the PrintSet 5.6.1 software from the included CD or from the Downloads folder.
2. Connect the printer to the PC using a serial or USB connection, or connect it to the local network.
3. Launch the installed **Honeywell PrintSet 5** application and start configuring the printer parameters.

**The PC42t and PC42d Printer Firmware ver. T10.13.013815** is used if the printer was not updated to the T10.13.013815 version. The update should be performed by a trained professional.

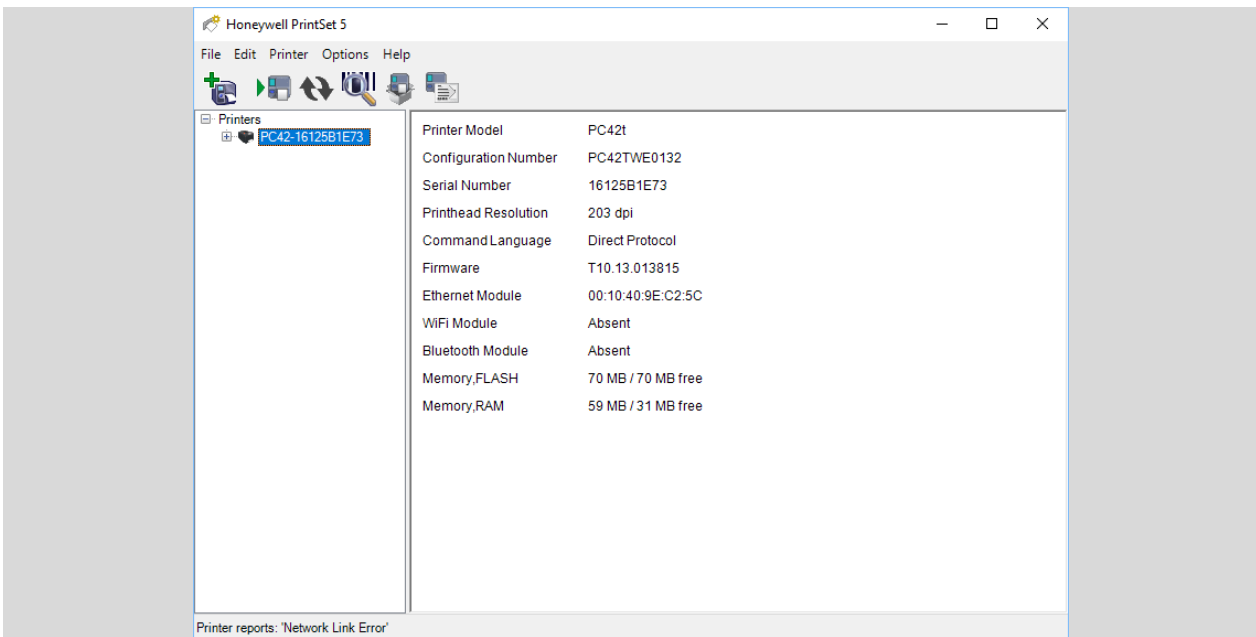


Figure 4: PrintSet software

### 3 Print settings (COBISS3)

When the printer driver is installed, you must update the settings on the Honeywell PC42t printer before you can print labels. Go to the **Control panel** and select **Devices and Printers**. You will see a list of all available printers. Select and right-click the **Honeywell PC42t** printer. In the additional options, select **Printer properties**. On the **Advanced** tab, select **Printing Defaults...** (Figure 5).

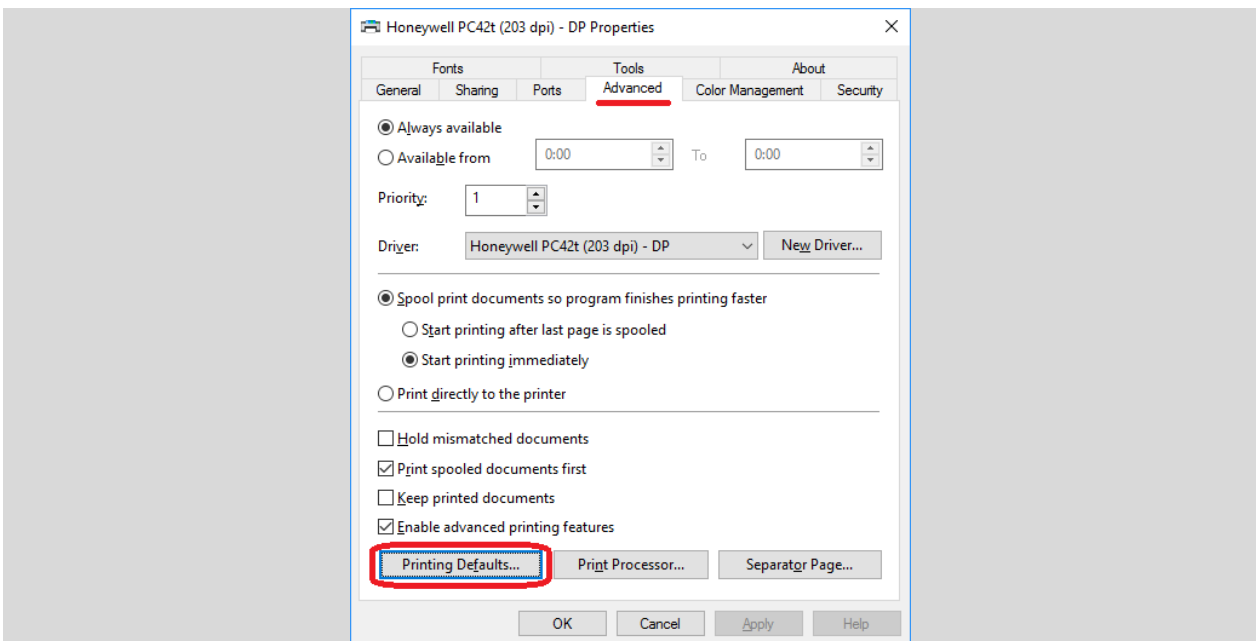


Figure 5: Printing Defaults...

In the **Page Setup** tab, set the label format by clicking **New** and enter the appropriate label format (e.g. USER (60.0 mm x 40.0 mm)) and set it as the default format (Figure 6).

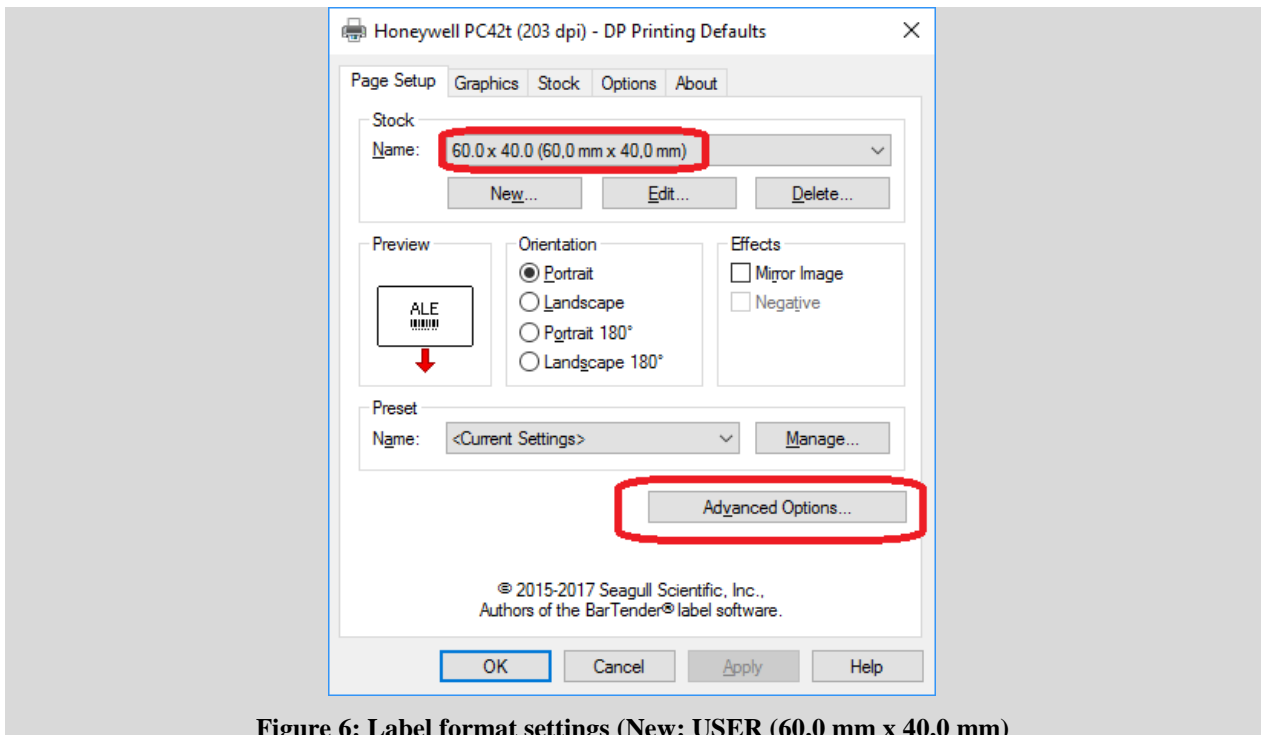


Figure 6: Label format settings (New: USER (60,0 mm x 40,0 mm))

Clicking the **Advanced options...** button will open a window, where you can set the starting position for printing and by doing so correct the printout position on the label. If necessary, offset the printout horizontally by 2.0 mm (Figure 7).

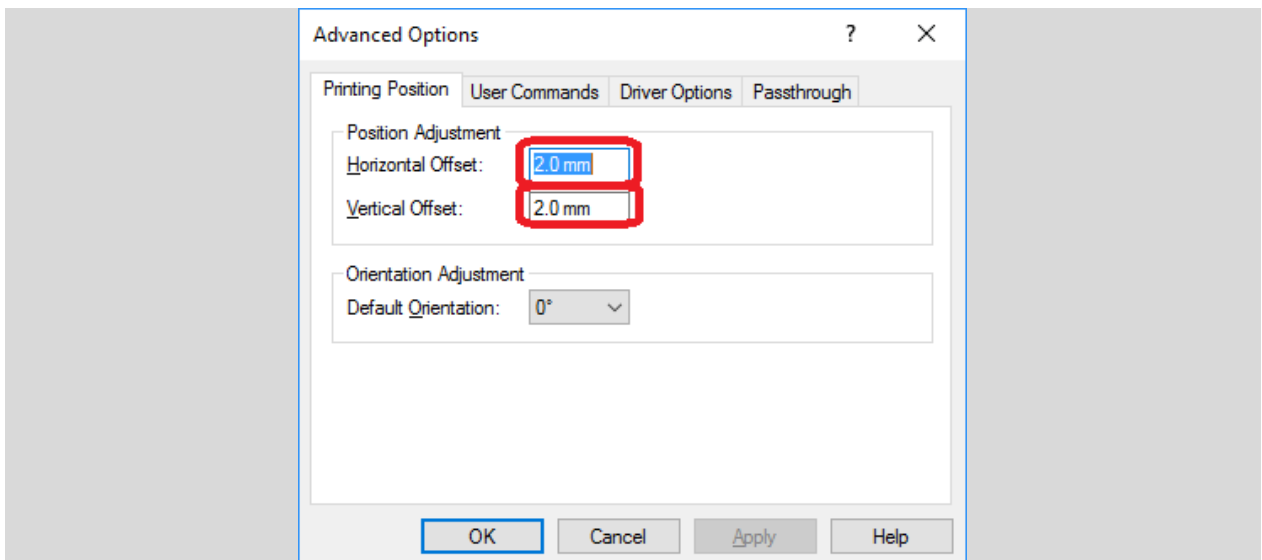
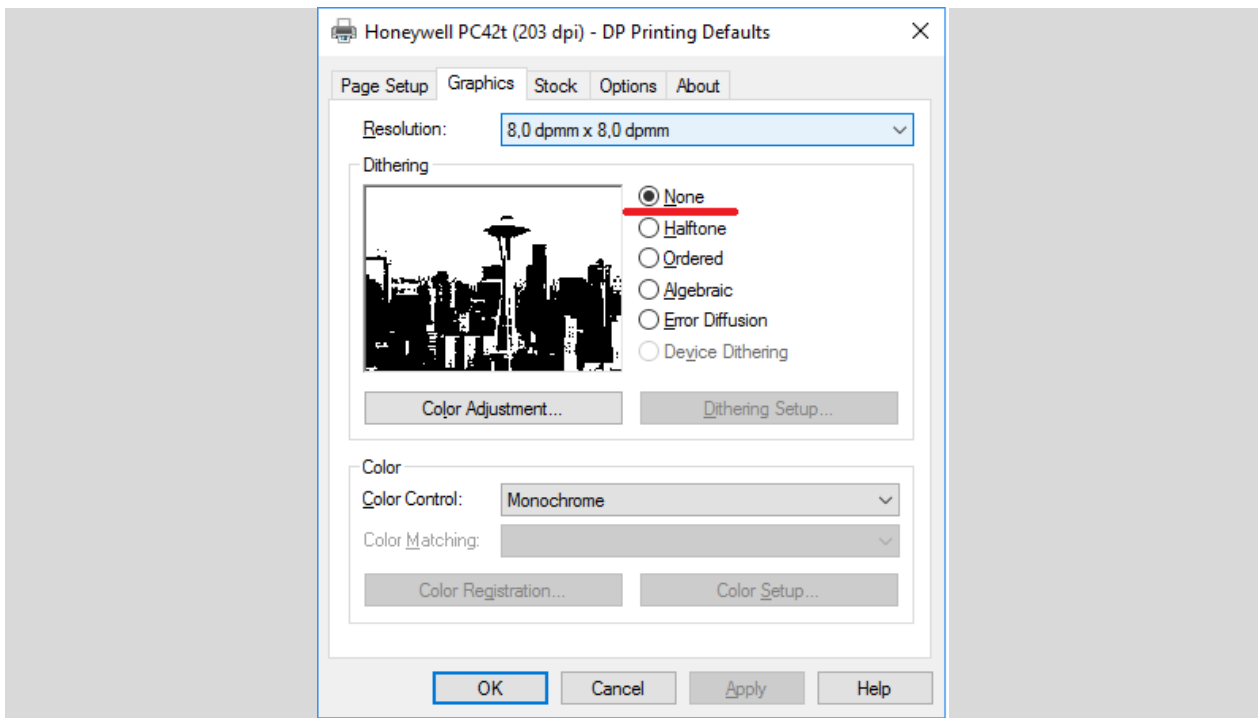


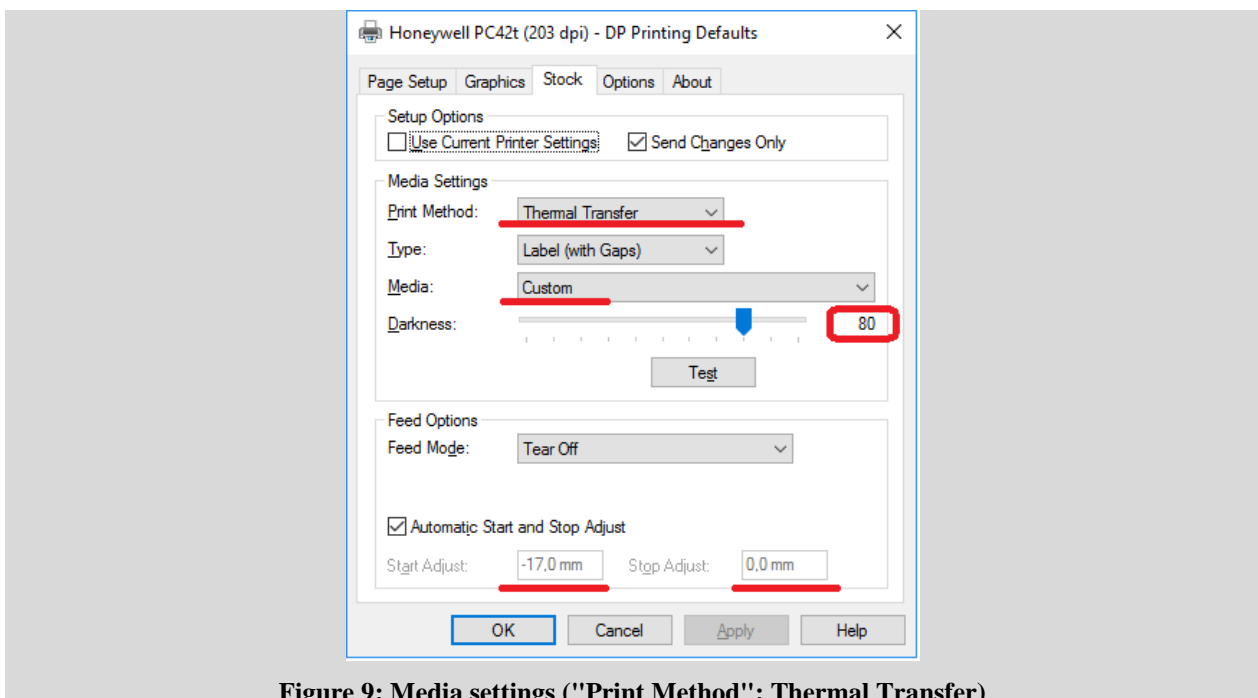
Figure 7: Printout position settings ("Horizontal Offset", "Vertical Offset")

On the second tab (**Graphics**), select *None* under "Dithering" (Figure 8).



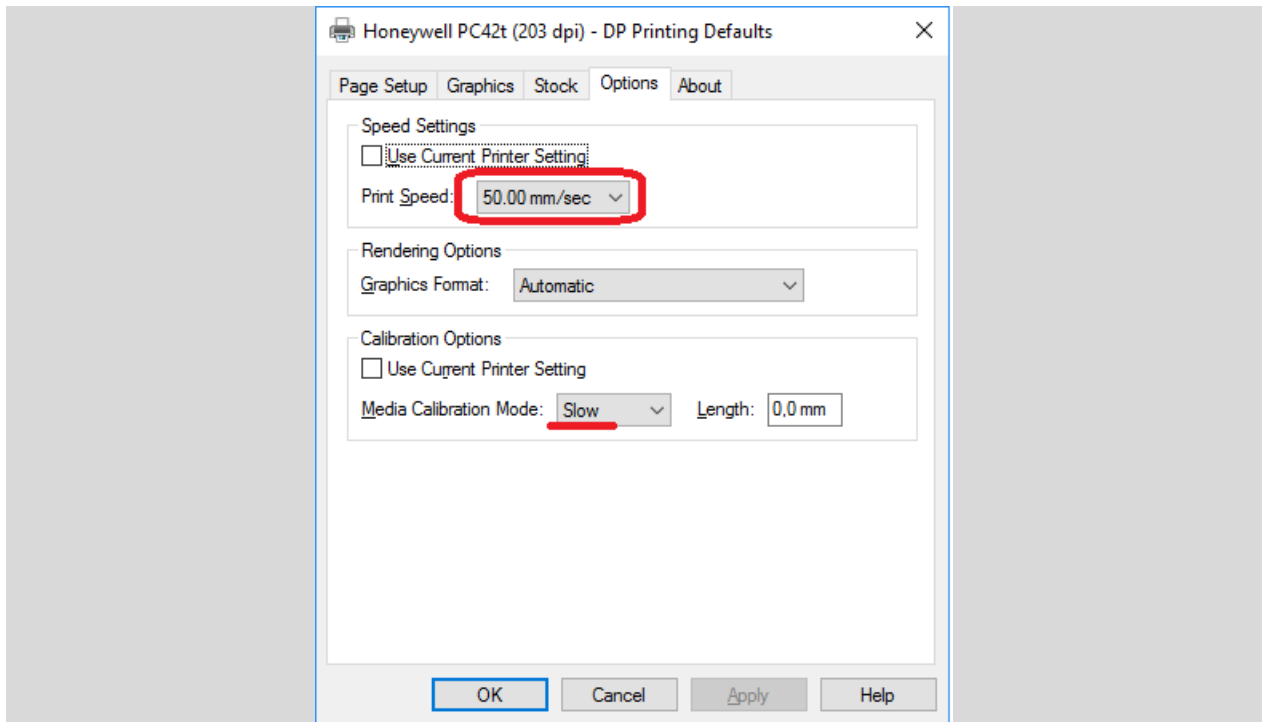
**Figure 8: Print settings (Graphics, "Dithering")**

On the third tab (**Stock**), set the "Print Method" to *Thermal Transfer*, the "Media" to *Custom*, and the "Darkness" level to 80. Leave all other settings set to default (Figure 9).



**Figure 9: Media settings ("Print Method": Thermal Transfer)**

On the fourth tab (**Options**), set the "Print Speed" to 50.00 mm/sec and the "Media Calibration Mode:" to "Slow" (Figure 10).



**Figure 10: Setting print options ("Speed Settings", "Media Calibration Mode")**

**Note:** You must use the black resin ribbon.

The Seagull driver is used (Figure 11).



**Figure 11: Seagull driver**

## 4 Setting logical destinations in COBISS3

In COBISS3, select a printer for printing labels for the material in logical destinations. Select **System/Settings/Logical destinations** (Figure 12).

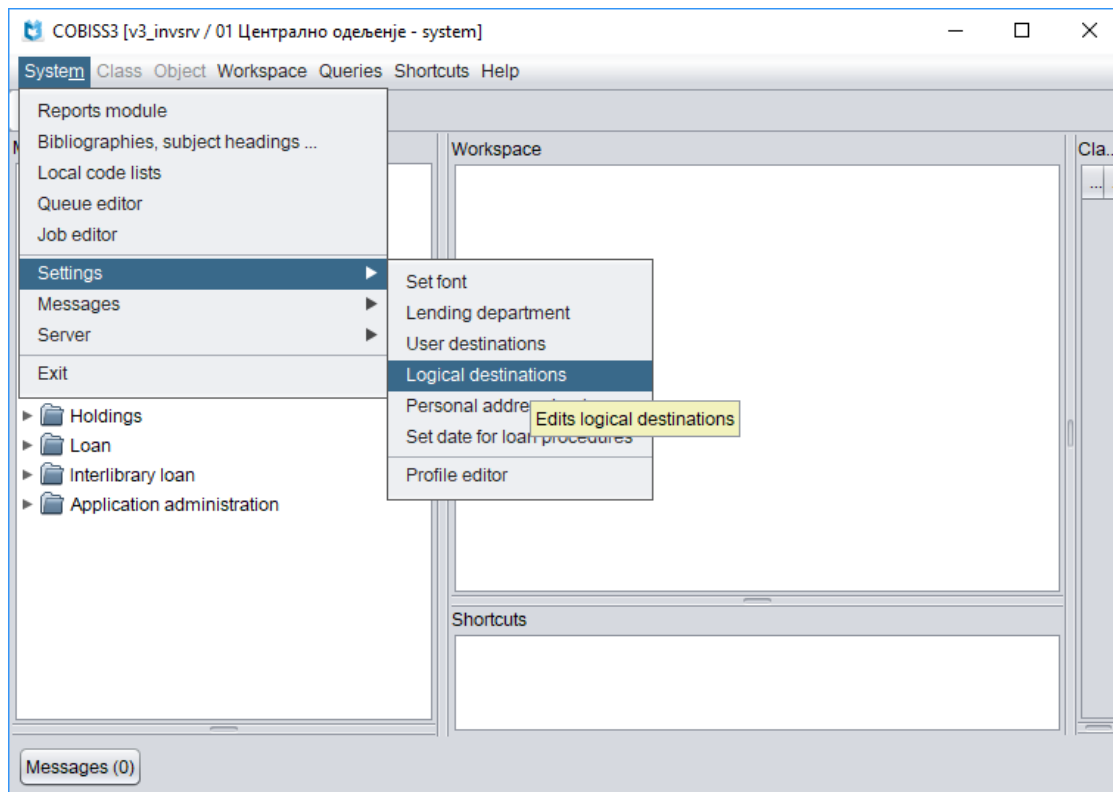


Figure 12: COBISS3 user interface

A new **Local destinations editor** window will open in which you will select *Label – material: [default local printer]* and click **Edit** (Figure 13).

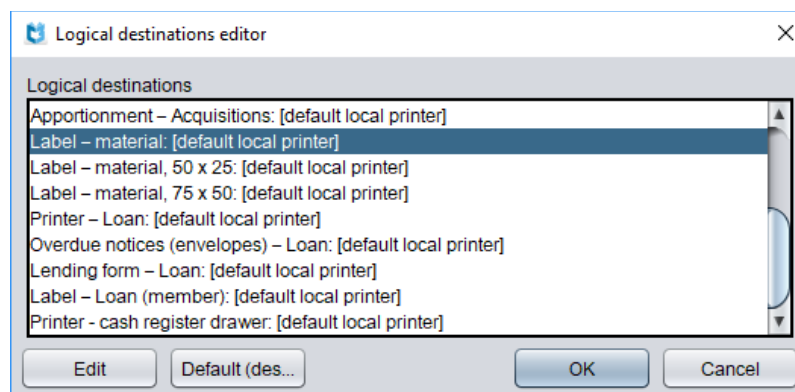


Figure 13: Local destinations editor

The **User destinations** window will open in which you will click **Add printer**. In the new window select *Honeywell PC42t* from the drop down list which you intend to use to print labels for the material (Figure 14).



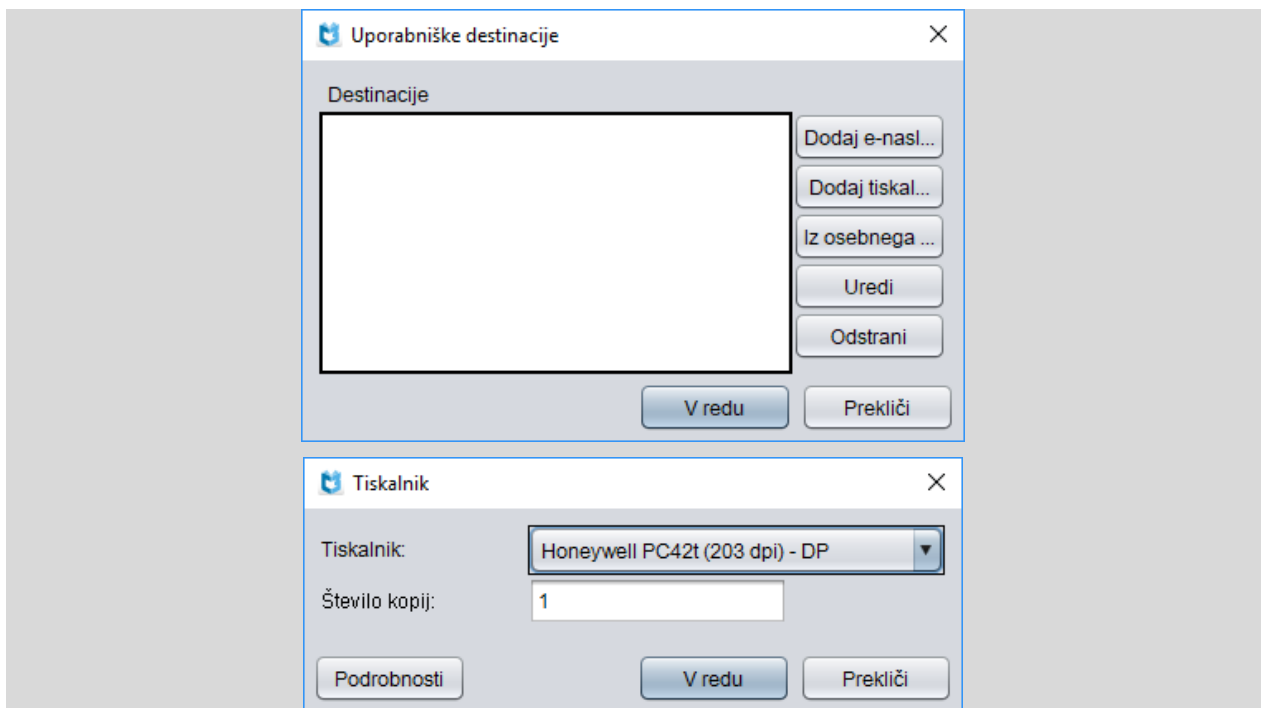


Figure 14: Setting local destinations

Once you select the printer, click the **Details** button to check if these detailed settings are correct for this type of printer (Figure 15).

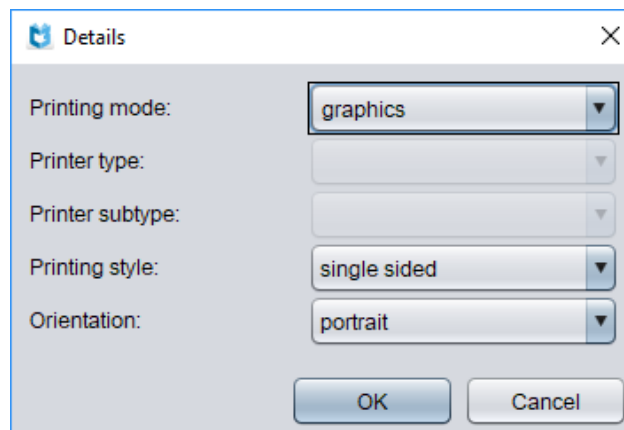
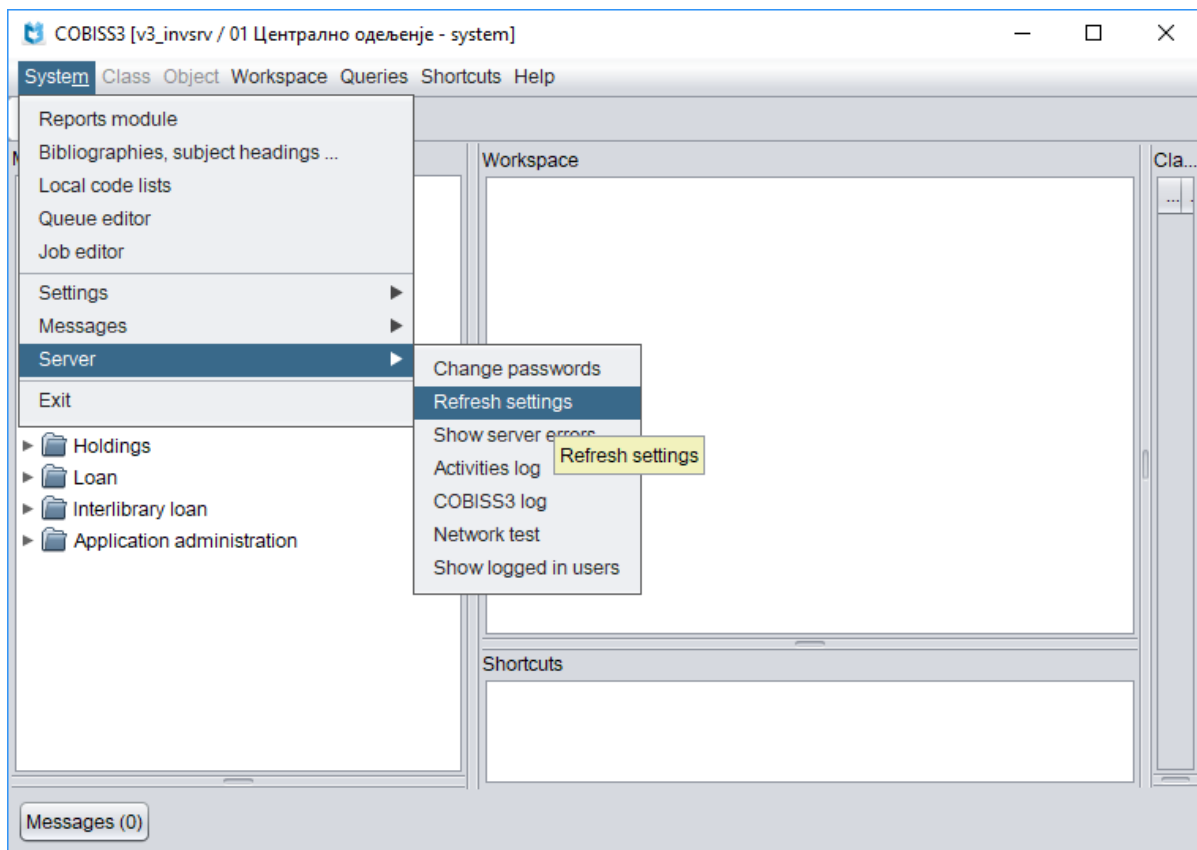


Figure 15: Detailed settings

When all settings are set, click the **OK** button to confirm each choice. At the end, in the **System** menu, select **Refresh settings** (Figure 16). If this option is not available, refresh the newly configured settings by first logging out and then logging in to the COBISS3 software.



**Figure 16: Refreshing settings in the COBISS3 user interface**

Now, you can start printing labels for the material.